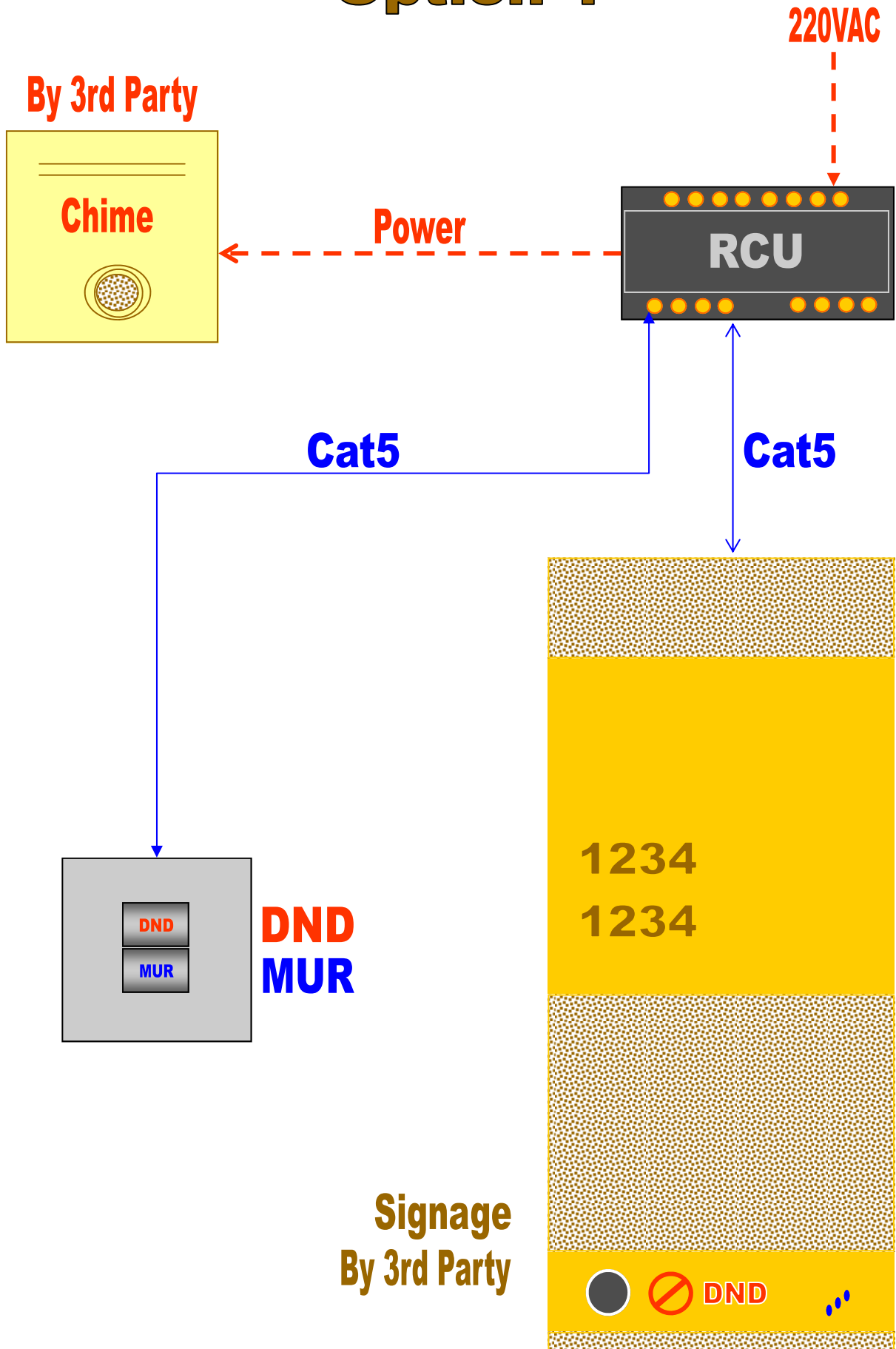


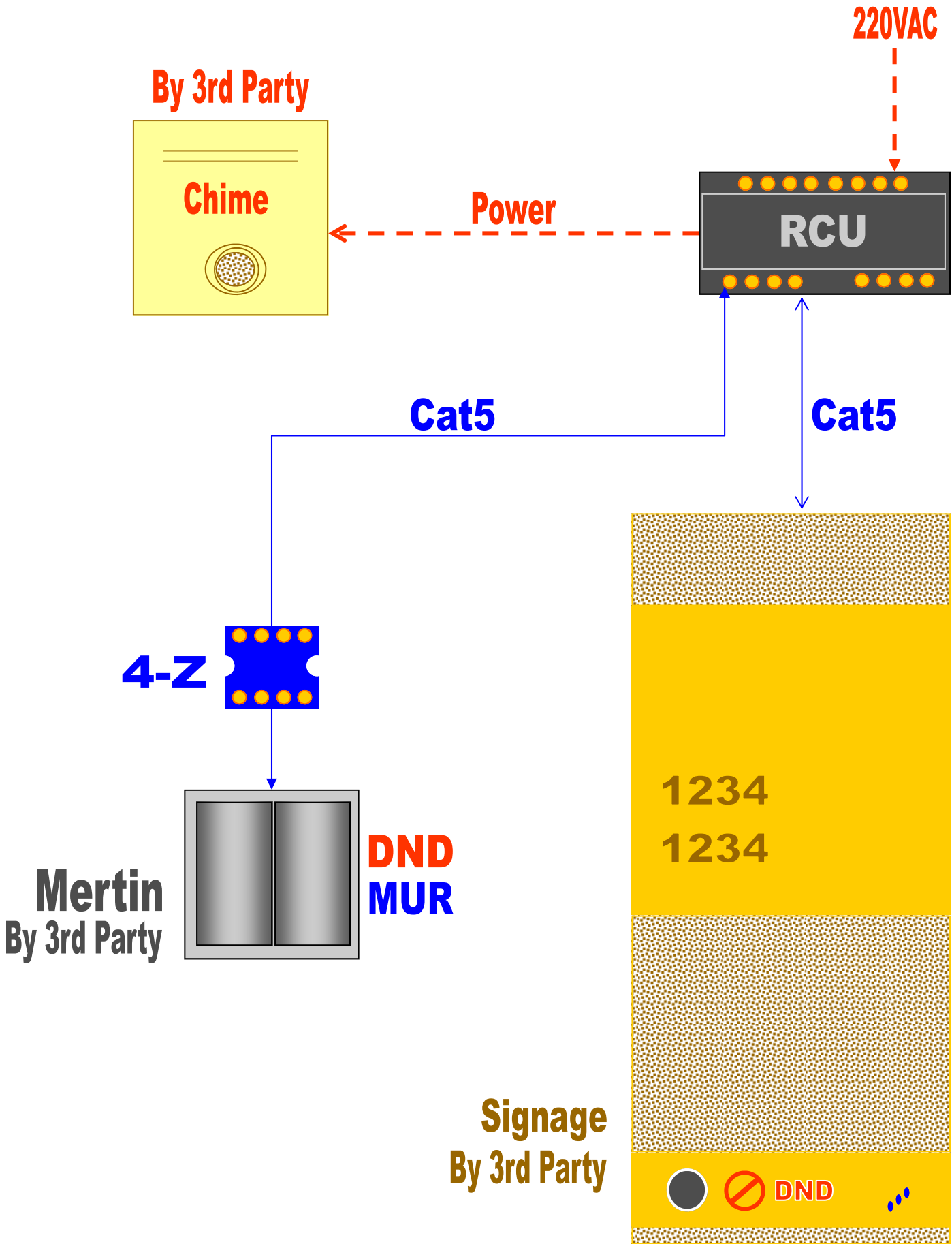
**Hotel 1 = 460 Rooms**

# Option 1



**Hotel 1 = 460 Rooms**

# Option 2



**Hotel 1 = 460 Rooms**